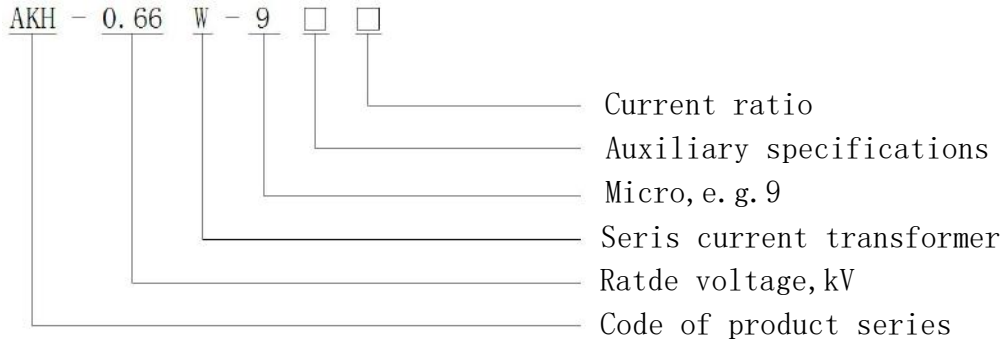


AKH-0.66 W-9A/9 B series current transformer

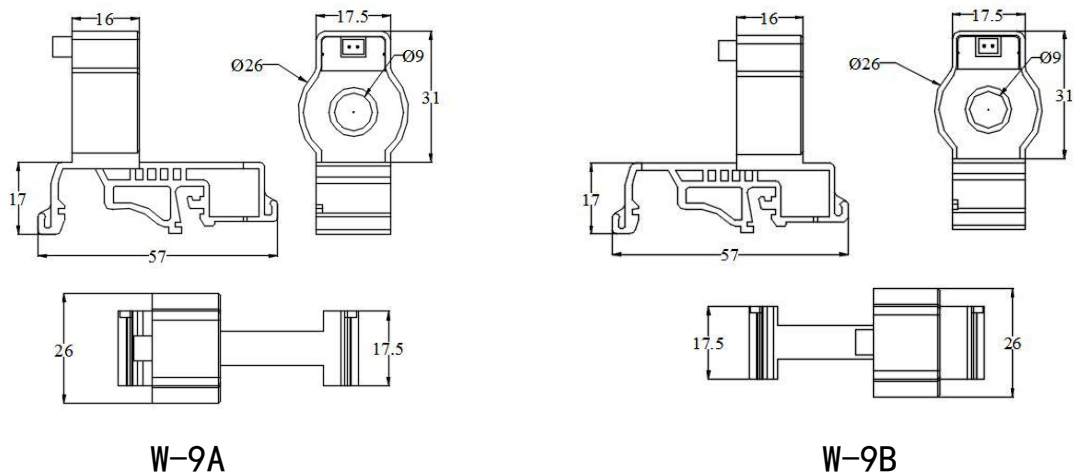
1. Product feature

The product is round and the output is small current signal such as 4-20mA. It is matched with multi-loop electric meter (AMC16). Product has the advantages of small size, high accuracy, strong load capacity, easy installation, etc., and can save cost to realizing multi loop monitoring for users.

2. Explanation for type



3. Spec. and size (mm, Tolerance ± 1 mm)



4. Cross-reference tables of spec. -parameter

Specification	Rated current ratio	Precision degree and corresponding rated load(Ω)			Straight-through turns	Max. cable outer diameter(mm)
		0.2 class	0.5 class	1 class		
W-9A、W-9B	50A/50mA	10			1	$\Phi 9$

5. Installation

