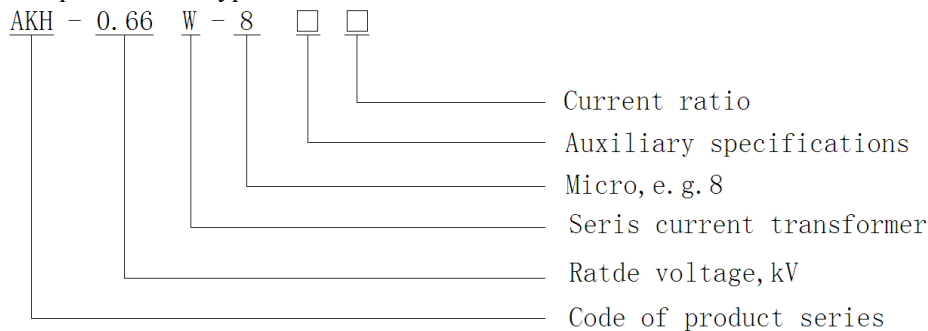


## AKH-0.66/W-8 series current transformer

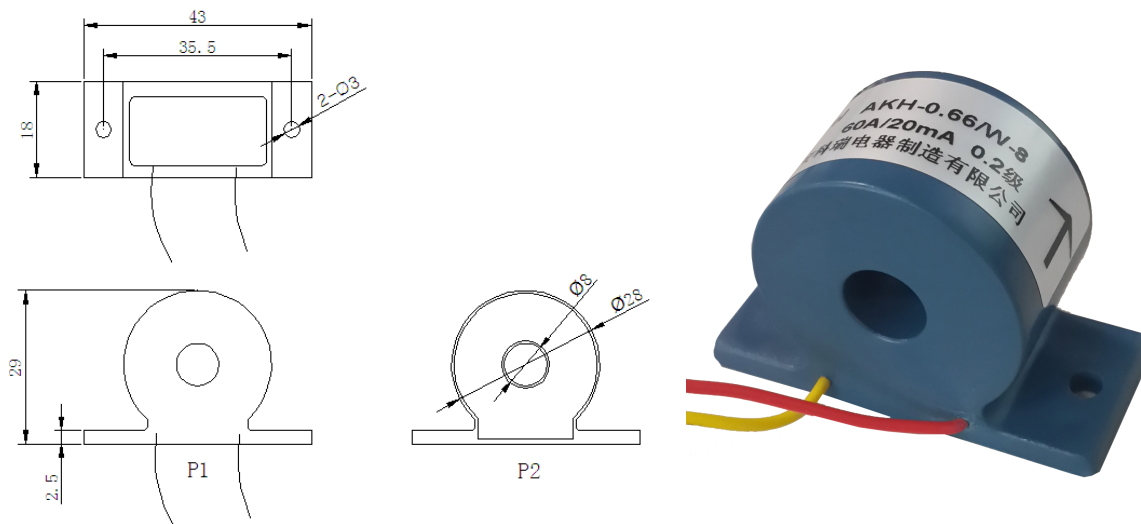
- Product feature

The product is round and the output is small current signal such as 4-20mA. It is matched with multi-loop electric meter(AMC16). Product has the advantages of small size, high accuracy, strong load capacity, easy installation, etc., and can save cost to realizing multi loop monitoring for users.

- Explanation for type



- Spec. and size



Note: Primary current flow from P1 to P2. The yellow second wiring is S2, the red is S1. The outlet length is  $2m \pm 10cm$ .

- Cross-reference tables of spec. -parameter

| Specification | Rated current ratio | Precision degree and corresponding rated load(Ω) |           |         | Straight-through turns | Max. cable outer diameter(mm) |
|---------------|---------------------|--|-----------|---------|------------------------|-------------------------------|
|               |                     | 0.2 class  | 0.5 class | 1 class |                        |                               |
| W-8           | 5-15A/5mA           | 10   |           |         | 1                      | Φ8                            |
|               | 10-30A/10mA         | 10   |           |         | 1                      |                               |
|               | 5A/20mA             |  | 10        |         | 2                      |                               |
|               | 10-15A/20mA         |  | 10        |         | 1                      |                               |
|               | 20-60A/20mA         | 10   |           |         | 1                      |                               |
|               | 60A/60mA            | 10   |           |         | 1                      |                               |