

AKH-0.66 M8 型电流互感器规格书

AKH-0.66 M8 current transformer

1. 产品特点 Product feature

一次电流较小, 容量 2.5VA 及以下用于测量或保护, 多用于低压抽屉柜等小空间场所。

Primary current is small, capacity 2.5VA and below for measuring or protection, and more used for small space such as low voltage draw-out cabinet etc.

2. 型号说明 Explanation for type

AKH - 0.66 - M8 □



3. 规格尺寸 Spec. and size(mm)

尺寸 Size Type 规格型号	外形尺寸 Outline size			穿孔尺寸 Through size			安装尺寸 Mounting size		公差 Tolerance	图形 Figure
	W	H	D	Φ	a	e	M	N		
M8	67	86	30	/	/	/	70.8	80.5	±1	图 1 Fig.1
双 M8	67	86	56	/	/	/	70.8	80.5		图 2 Fig.2

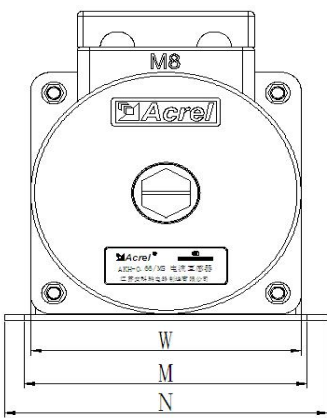


图 1
Fig.1

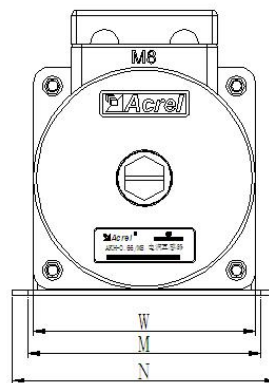
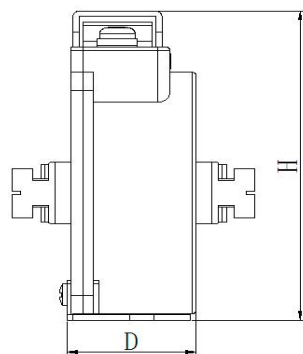
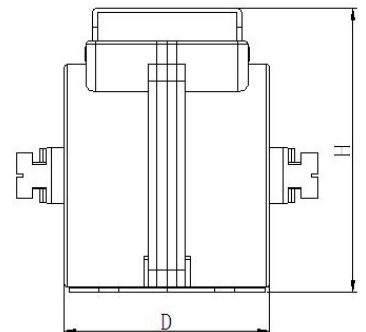


图 2
Fig.2



4. 规格参数 parameter



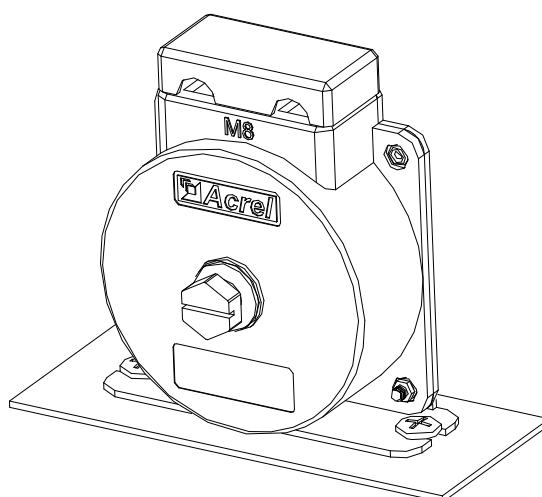
规格 Specification	ratio (A)	Precision degree and corresponding rated load (VA)					Straight-through tums	Installation
		0.2S	0.5S	0.2	0.5	1		
M8	5-100/5(1)					2.5	direct	H
双 M8	5-100/5	1.5	1.5	1.5				

5. Technical indicators

- Rated operation voltage AC 0.66kV
- Rated frequency 50-60Hz
- Ambient air temperature -30°C-70°C
- Height above sea level ≤ 3000m
- Power frequency withstand voltage 3000v/1min 50Hz
- Used in place without direct rain and snow, without severe pollution and acute shock

6. 安装示意图 Installation

H:



H: Fixed by fixed plate

7. Design and test standards

No.	Name	Testing condition	Measuring instrument	Product Verification Cycle	Product testing standards
1	Surface, Terminal mark	Temperature:20-25°C Humidity:50-65%	HLS-50G2 Standard Current Transformer、 HES-1 Digital Transformer Verification FY47 Current Transformer Load Cases FY49 Current Transformer Load Cases LK2673 Withstand Voltage Tester ZC25-4 Insulation Resistance Shaking Instrument	2 Years	IEC 61869-2:2012,MOD

Jiangsu Acrel Electrical MFG Co.,Ltd.(Production Base)
Address : No31HongtuRd,NanzhaJiangyinJiangsu
Website: www.acrel.gr

Sales manager : Tim Ma
Tel/whatsapp/wechat : 8618761599716
E-mail : tim.ma@email.acrel.cn