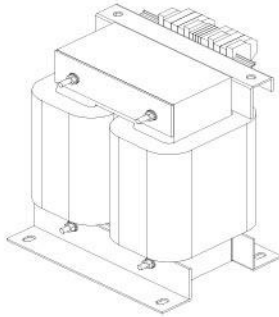


AITR Series Isolation Transformer



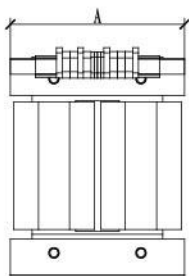
Features

- Designed for medical IT systems.
- Built-in PT100 temperature sensors.
- Low noise level < 40dB..
- Screen winding with brought-out insulated connection terminal.
- Inrush current < 12In.
- Degree of protection, IP00(open design).
- Reinforced insulation, and the windings are galvanically isolated

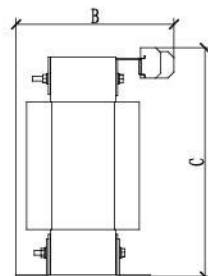
Technical parameters

Rated capacity	3.15kVA/5kVA/6.3kVA/8kVA/10kVA
Frequency	50/60Hz
Rated input voltage	230V
Rated output voltage	230V/115V
(IE) Inrush current	<12In
Leakage current	<200uA
(UO) No-load output voltage	<235V
(IO) No-load output current	<3% In
Short-circuit voltage	<3% Un
Efficiency	>96%
Maximum ambient temperature	<40°C
No-load temperature rise	<33°C
Full load temperature rise	<76°C
Withstand voltage	4200V/Min
Insulation class	H
Noise level	<40dB (A)

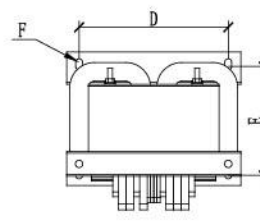
Dimension Drawings



Front view of AITR series isolation transformer



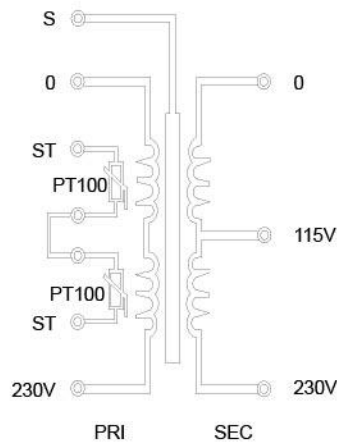
Side view of AITR series isolation transformer



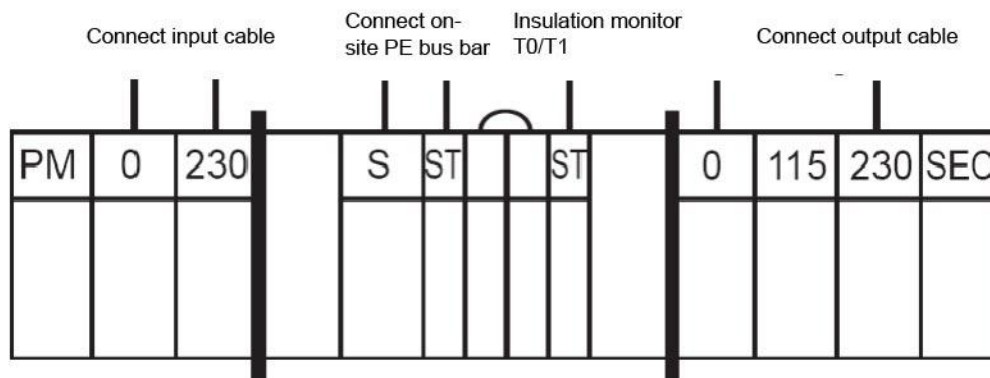
TOP view of AITR series isolation transformer

type	Capacity (VA)	A(mm)	B(mm)	C(mm)	D(mm)	E(mm)	F(mm)	Total weight (kg)
AITR10000	10000	280	275	427	240	190	φ11	92
AITR8000	8000	280	265	427	240	190	φ11	90
AITR6300	6300	280	255	427	240	175	φ11	75
AITR5000	5000	280	255	427	240	175	φ11	73
AITR3150	3150	280	225	427	240	175	φ11	53

Wiring diagram



Terminals



Connection properties

Acc. to different type of isolation transformer, the recommended input and output wires are listed as follow:

Isolation transformer type	Recommended wire
AITR3150	4mm ²
AITR5000/AITR6300	6mm ²
AITR8000/AITR10000	10mm ²