



AIM-R100 Residual Current Monitoring Products

Installation and Operation Manual V1.3

Acrel Co., Ltd.

Declaration

Please read this manual carefully before using these products, in which the involved pictures, logos, symbols, etc. are all reserved by the Acrel Co., Ltd. Personnel not inside the company shall not publicly reprint all or part of the contents without written authorization.

Before using the product, please read the tips and precautions in this operation manual, and Acrel does not take responsibility for personal injuries or economic losses caused by ignoring tips of this manual;

The contents of the manual will be continuously updated and revised, thus the products functions in this manual may inevitably have a slight discrepancy with the real objects during the continuous upgrading process. Users should give first place to the purchased real products, and can search www.acrel.cn to downloads or through sales channels to obtain the latest version of the manual.

Contens

1	Introduction.....	1
2	Functional characteristics.....	2
2.1	Function characteristics of AIM-R100.....	2
2.2	Function characteristics of AID150	2
2.3	Function characteristics of ACLP10-24.....	2
2.4	Function characteristics of AKH-0.66/L-20.....	2
3	Reference standards	3
4	Technical parameters.....	3
4.1	Technical parameters of AIM-R100.....	3
4.2	Technical parameters of AID150	3
4.3	Technical parameters of AKH 0.66P26/L-20.....	4
5	Installation and connection	4
5.1	Appearance and installation opening size	4
5.2	Method of installation	5
5.3	Wiring method.....	7
5.4	Typical wiring method.....	9
6	Operation and Usage.....	10
6.1	Panel.....	10
6.2	LED instructions	10
6.3	Function description of keys	11
6.4	Key operation instructions	12
7	Communication Protocol	14
7.1	Communication protocol introduction	14
7.2	Introduction to function code.....	15
7.3	AIM-R100 communication address table	16
8	Typical applications	18
9	Power on and debugging instructions	18
9.1	Wiring check	18
9.2	Common faults and eliminations	19




AIM-R100 Residual Current Monitoring Product


1 Introduction

Residual current monitoring products are suitable for medical class 2 and class 1 places and other places that need to monitor the residual current, mainly used for monitoring the residual current of TN-S distribution system mains and branches. When the residual current value exceeds the preset threshold, the system will send an alarm signal to remind the staff to deal with it according to the actual situation, so as to eliminate the potential safety hazards such as electrical fire and electric leakage shock caused by the residual current and provide clean, safe and continuous power supply for the equipment. The residual current monitoring products are also the monitoring instruments developed by Acrel with rich product design experience and strict reference to the requirements in the standards and specifications. The product conforms to the enterprise standard Q31/0114000129C025-2017 *Residual Current Monitoring Device*.

The remaining current monitoring products mainly include AIM-R100 residual current monitor, AKH-0.66/L-20 residual current transformer, AID150 centralized alarm and display instrument and ACLP10-24 DC24V power supply, as shown in Table 1 below.

Table 1 Residual current monitoring products

Type and Name	Picture	Introduction
AIM-R100 Residual current monitor		AIM-R100 residual current monitor adopts advanced microcontroller technology, with high integration, small size, easy installation, intelligent, digital and networked, it is the preferred product for multi-loop residual current monitoring in medical class 1, class 2 and other places.
AKH-0.66/L-20 Residual current transformer		AKH-0.66/L-20 residual current transformer is used together with AIM-R100 residual current monitor, high accuracy and ratio is 2000:1. The current transformer is installed in the cabinet in the way of screw direct fixation, which is flexible and convenient for installation and use.
AID150 Centralized alarm and display instrument		AID150 centralized alarm and display instrument adopts LCD display and RS485 bus communication, which can centrally monitor the data of up to 16 sets of AIM-R100 residual current monitors or the insulation monitors such as AIM-M10 and AIM-M100, and it can alarm remotely by sound and light.

		<p>ACLP 10-24 is DC24V power supply for AID150, which uses a completely isolated linear transformer. It has the characteristics of stable output voltage, small ripple, high voltage withstand grade. It adopts the standard guide way to install, and can be installed on the same guide way near the residual current monitor.</p>
--	---	--

2 Functional characteristics

2.1 Function characteristics of AIM-R100

Monitoring TN-S system real-time and display the residual current;

Monitoring the residual current transformer wiring short circuit, break line, and the failure alarm real-time;

Relay output, LED alarm indication and various fault indicator function;

Advanced field bus communication technology, and centralized alarm and display, communication, can monitoring system operation condition real-time;

SOE function, it can record the time of the alarm and fault types, convenient operating personnel analysis system running status, promptly eliminate malfunction;

Self-checking function, through the function test device of residual current detection function;

Remote reset function, can remote reset residual current monitor, eliminate the alarm message.

2.2 Function characteristics of AID150

Advanced field bus technology, which can be communicated with the residual current monitor;

Centralized alarm and display instrument can set the number of monitor and residual current alarm threshold in system remotely;

When residual current exceeded threshold or connection failure, it provides sound and light alarm function, and it can be eliminated;

Up to 16 AIM-R100 residual current monitors or AIM-M10, AIM-M100 insulation monitors can be monitored, wall installation, apply to the operating room, ICU, or other places of centralized monitoring.

2.3 Function characteristics of ACLP10-24

Adopts linear transformer isolation, has strong anti-interference ability, low ripple;

AC 220V input and DC 24V output, the maximum output power is 3W;

Used to AID150 alarm and display instrument with DC24V power supply.

2.4 Function characteristics of AKH-0.66/L-20

Measurement precision is 0.2 class, ratio is 2000:1;

Measuring residual current in load with AIM - R100 residual current monitor.

3 Reference standards

3.1 IEC 60364-7-710:2002 *Electrical installations of buildings - Part 7-710: Requirements for special installations or locations - Medical locations*

3.2 IEC62020-1:2020 *Electrical accessories - Residual current monitors (RCMs) - Part 1: RCMs for household and similar uses*

4 Technical parameters

4.1 Technical parameters of AIM-R100

They are shown in Table 2.

Table 2 Parameters of AIM-R100 residual current monitor

Items		parameters
Accessory power supply	Voltage	AC 220V±10%
	Power dissipation	≤3VA
Residual current monitoring	Loops	12
	Measure range	0~5000mA
	Setting range	6~1000mA
	Frequency	50±5 Hz
Relay output	output	1 relay output, normally open
	Contact capacity	AC 250V/3A DC 30V/3A
Communication	Interface	RS485
	Protocol	Modbus-RTU
MTBF		≥50000 hour

4.2 Technical parameters of AID150

They are shown in Table 3.

Table 3 Technical parameters of AID150 centralized alarm and display instrument

Items		parameters
Accessory power supply	Voltage	DC 24V
	Power dissipation	< 0.6W
Residual current display range		×

Self-check function	√
Number of systems	≤16
alarm	Sound and light alarm, sound can be eliminated
SOE	Leakage fault, transformer break, short circuit of transformer, equipment fault
Communication	RS485, Modbus-RTU
Display	128×64 dots LCD

4.3 Technical parameters of AKH 0.66P26/L-20

They are shown in Table 4.

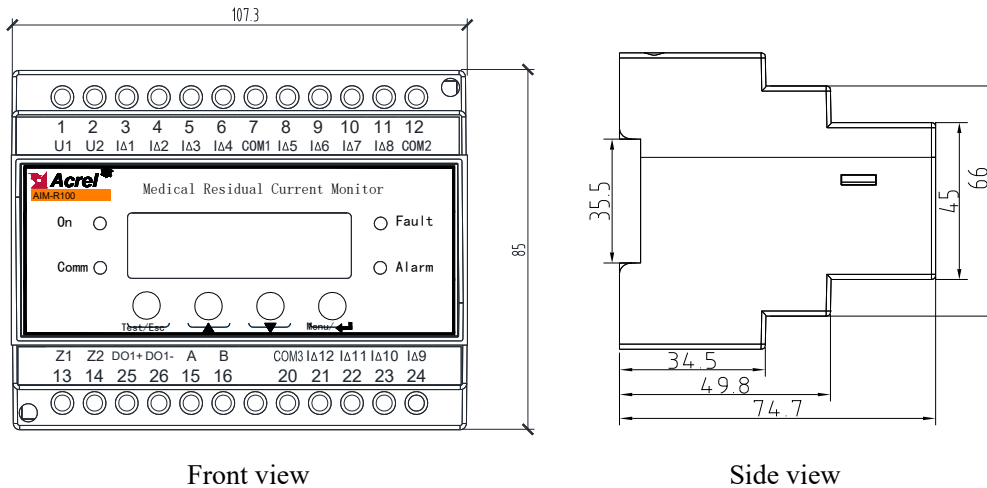
Table 4 Technical parameters of the AKH-0.66/L-20 residual current transformer

Items	parameters
Precision	0.2
Ratio	2000:1
Rated (secondary) current	50mA
Secondary output of transformer	Cable line

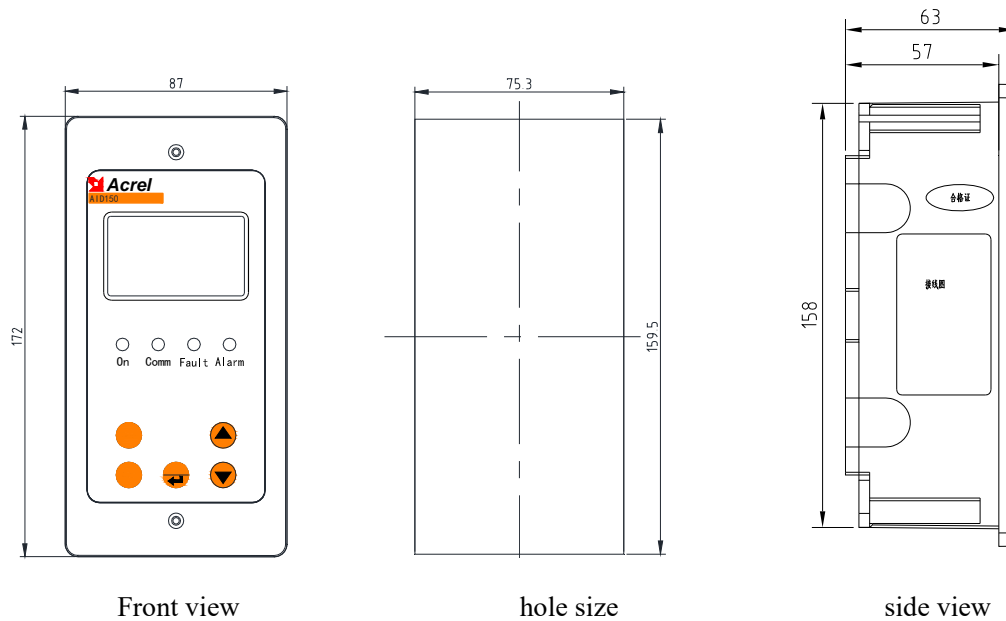
5 Installation and connection

5.1 Appearance and installation opening size

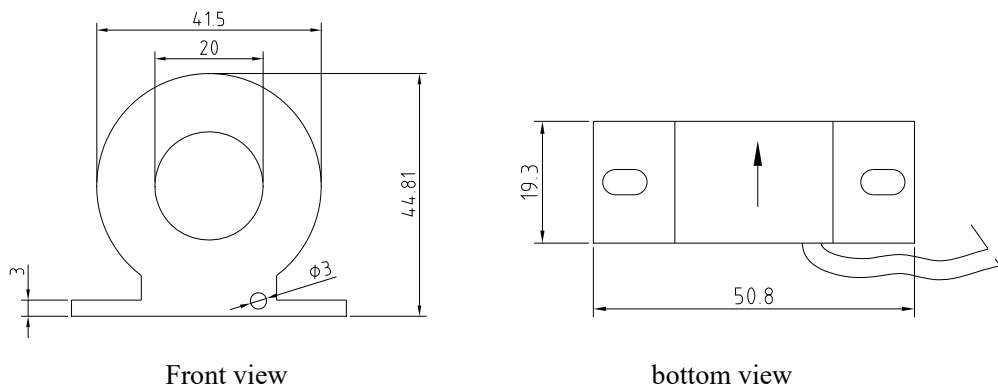
5.1.1 Appearance and mounting hole size of AIM-R100 Residual current monitor (unit: mm)



5.1.2 Shape and mounting hole size of AID150 centralized alarm and Display Instrument (unit: mm)



5.1.3 Shape and mounting hole size of AKH-0.66/L-20 residual current transformer (unit: mm)

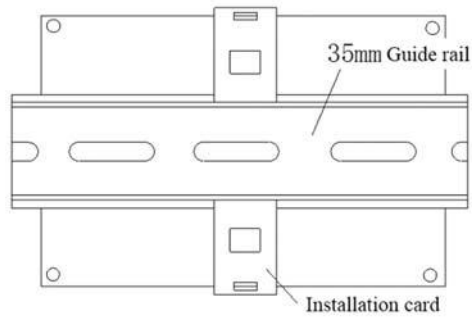


5.2 Method of installation

In addition to the AID150 centralized alarm and display instrument, the residual current monitoring products are best centrally installed in the distribution cabinet. AIM-R100 residual current monitor uses 35mm standard guide rail to install, AKH-0.66/L-20 residual current transformer uses screws (attached) directly fixed installation. When the AID150 centralized alarm and display instrument is used in the operating room, it can be embedded in the wall and installed next to the information panel in the operating room for medical personnel to view; When AID150 is used in other medical places, it is recommended to install in the nurse station. It can also be installed in other locations that are easy to monitor. External wiring of the AID150 centralized alarm and display instrument includes two DC24V power supply lines and two RS485 communication lines, which are drawn from the distribution cabinet. Pipelines should be reserved during construction. In the centralized monitoring, the RS485 communication between the AIM-R100 and AID150 should be connected hand in hand.

5.2.1 Installation method of AIM-R100 residual current monitor

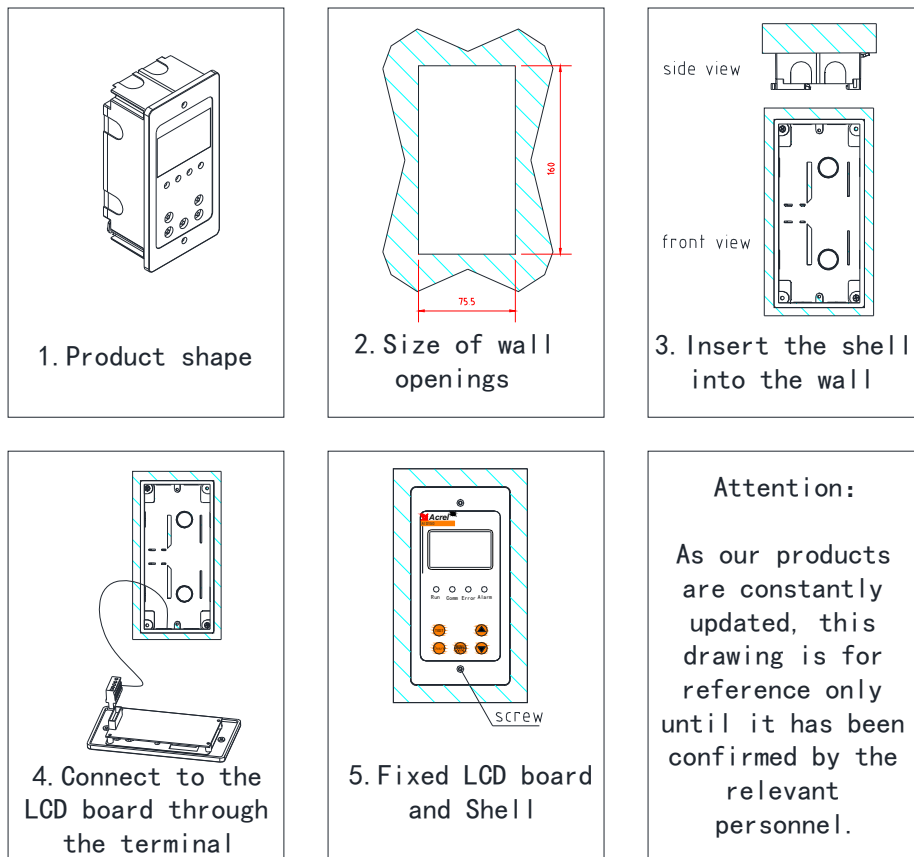
The AIM-R100 residual current monitor is installed with guide rail and fixed with buckles, as shown in the figure below:



5.2.2 Installation method of AID150 alarm and display instrument

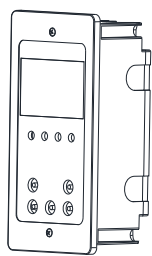
AID150 centralized alarm and display instrument, which is suitable for embedded wall installation.

installation diagram is shown in figure below.

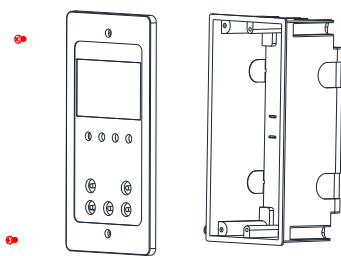


During the decoration, firstly, the AID150 should be embedded in the wall to be fixed and be close to the knockouts of the pipeline, so that the wires (two power cords and two-core shielded twisted pair) can be drawn to the front cover, and then fix the cover on the shell with screws.

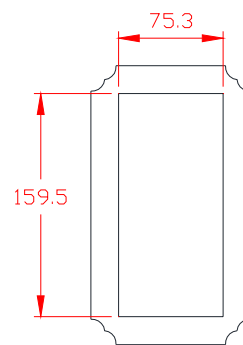
If the AID150 centralized alarm and display instrument is installed by opening the cabinet door, the installation diagram is shown in figure below.



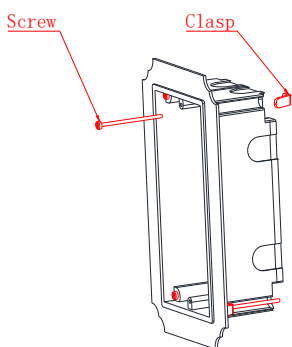
AID150 shape



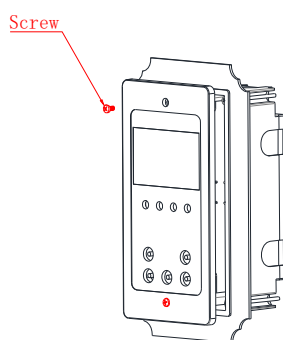
Separate the product body from the cassette



Hole size of door panel



Install the cassette on the door panel



Fix the panel to the cassette

Attention:
As our products are constantly updated, this drawing is for reference only until it has been confirmed by the relevant personnel.

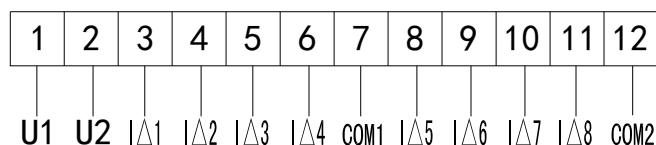
5.2.3 Installation method of ACLP10-24 DC24V power supply

The ACLP10-24 DC24V power supply is used to install in the way of guide rail, which is fixed with snap-in type. It can also be installed on the same guide rail side by side with the AIM-R100 insulation monitor.

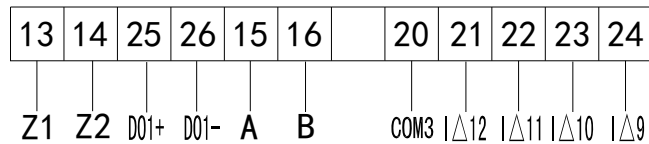
5.3 Wiring method

5.3.1 Wiring method of AIM-R100 residual current monitor

Upper terminals: U1, U2 (1, 2) are AC220V auxiliary power supply. I Δ 1~I Δ 8 (3, 4, 5, 6, 8, 9, 10, 11) are connected to one end of the residual current transformer, and COM1 (7) or COM2 (12) are connected to the other end of the residual current transformer corresponding (wiring without polarity).



Lower terminal: Z1, Z2 (13, 14) access to external self-check reset button, DO1+, DO1- is alarm relay output, A, B is centralized alarm and display instrument terminal, I Δ 9-I Δ 12 (24, 23, 22, 21) access to the end of the residual current transformer, COM3 (20) access to the other end of the residual current transformer (wiring without polarity).



Note:

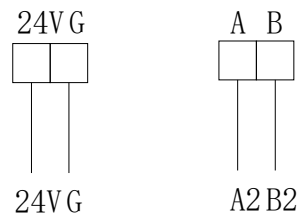
(1) The residual current monitor is matched with the transformer's own outgoing line.

(2) The wiring of residual current monitor U1 and U2 (1 and 2) is suggested to connect each 6A fuse to ensure instrument safety.

(3) when the residual current monitoring is not match with 12 transformers, the empty interface I△n should be connected to the nearby COM with 100Ω resistance, avoid the break line fault alarm.

5.3.2 Wiring method of AID150 centralized alarm and display instrument

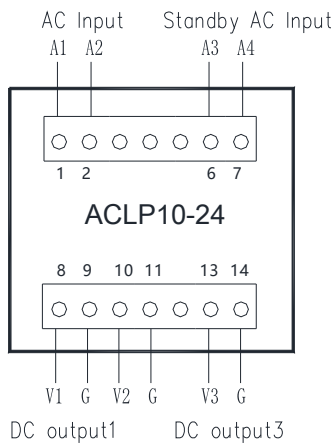
A and B are connected to terminals A and B (15, 16) in AIM-R100. The power terminals shall be connected to the positive pole and ground of the DC24V power supply respectively. The wiring diagram is shown in the figure below.



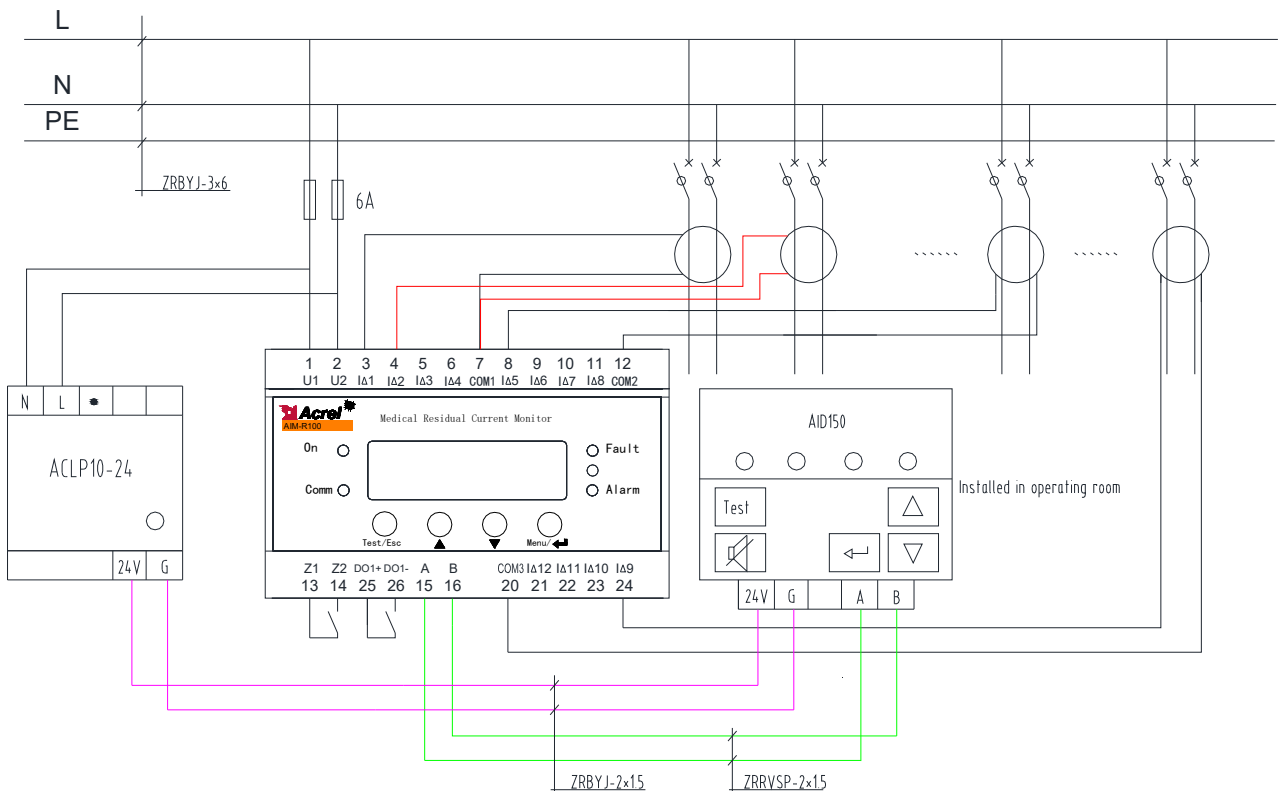
DC24V power supply can be selected with 2×1.5mm² multi-strand copper wire connection; 2×1.5mm² shielded twisted pair can be used for external wiring of RS485 communication terminals. COM terminals used for communication should not be connected.

5.3.3 ACLP10-24 DC24V power supply

Terminals 1 and 2 of the ACLP10-24 DC24V power supply and A1, A3 are the input terminals of AC 220V power supply, while A3 and A4 are the input extension terminals corresponding to terminals 7 and 8. In the instrument, A3 is connected with A1 and A4 is connected with A2. V1, G, V2, G corresponding to Terminals 8 and 9, V2, G corresponding to terminals 10 and 11, and V3 and G corresponding to terminals 13 and 14 are the output terminals of three groups of DC24V power supply, which are used to provide DC24V power for the AID 150 centralized alarm and display instrument. In the meter, all V terminals are connected and all G terminals are connected.



5.4 Typical wiring method



Description:

- (1) Each residual current monitor can be equipped with at most 12 AKH-0.66/L-20 residual current transformers.
- (2) Terminals 1 and 2 of the AIM-R100 residual current monitor and terminals 1 and 2 of the power supply of ACLP10-24 DC24V power supply shall be connected to AC220V, which can be directly connected to the bus bar as shown in the figure above, and connected to fuse protection of 6A.
- (3) Terminals 13 and 14 of the AIM-R100 residual current monitor are connected to the remote reset button, which is used for the automatic reset of the instrument to ensure the safety and reliability of the system.
- (4) When applied to single-phase branches, AKH 0.66/L-20 needs to pass through two lines of L and N of each output circuit, and the PE line does not need to be worn in; When applied in three-phase three-wire branch, the transformer passes through three wires A, B and C. When applied to three-phase four-wire, the transformer

passes through four wires A, B, C and N. Residual current transformer output lines connected to the corresponding terminal of AIM-R100, connecting to 100Ω resistance to empty terminal to avoid causing false alarms.

(5) terminal 15, 16 of the AIM-R100 residual current monitor and Terminals A and B of AID150 centralized alarm and display instrument can be connected with 2x1.5 mm² shielded twisted-pair cable. When AID150 centralized alarm and display is used to monitor multiple AIM - R100, the connection mode of the communication line should be hand in hand (A to A, B to B, one by one), RS485 bus between the end of the first two communication terminal should be matches with a resistance, recommend and appendant resistance is 120 Ω.

5.5 Matters needing attention

(1) The residual current monitoring products, except for the AID150 centralized alarm and display instrument, should be centrally installed in the isolated power cabinet or distribution cabinet. centralized alarm and display instrument generally select wall installation.

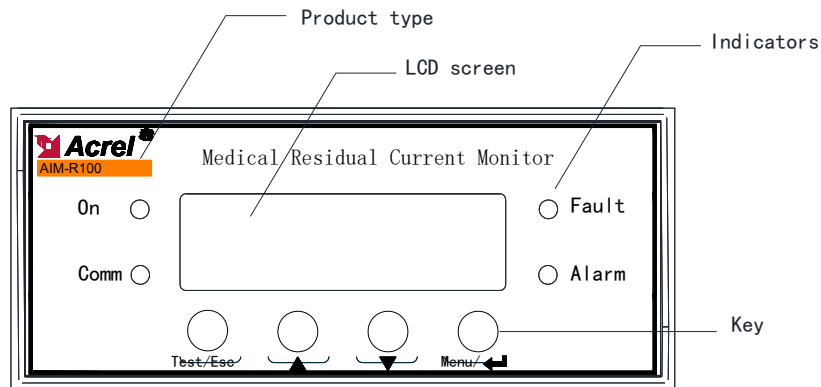
(2) During installation and wiring, the wiring diagram shall be strictly followed. It is better to press and connect the wiring with the needle-type sleeve joint, then insert the corresponding terminals of the instrument and tighten the screws to avoid abnormal working of the instrument due to poor contact.

(3) the empty loop of AIM-R100 must be connected to 100Ω resistance, avoid the break line fault alarm.

6 Operation and Usage

6.1 Panel

AIM-R100 residual current monitor panel



6.2 LED instructions

6.2.1 AIM-R100 residual current monitor LED instruction

LED states	instruction
“RUN”	In normal operation, the light flashes at a frequency of about once a second
“COMM”	Communication status of the device. the indicator light flashes while communication.

“FAULT”	The indicator light flashes and alarms while the residual current monitor has fault
“ALARM”	The indicator light flashes and alarms while the detected circuit has leakage.

6.2.2 AID150 centralized alarm and display instrument LED instruction

LED states	instruction
“RUN”	In normal operation, the light flashes at a frequency of about once a second
“COMM”	Communication status of the device. the indicator light flashes while communication.
“FAULT”	The indicator light flashes and alarms while AIM-R100 or AIM-M100 has fault
“ALARM”	When the value of AIM-R100 exceeds the threshold alarm, the indicator light flashes and alarms

6.3 Function description of keys

6.3.1 Key function description of AIM-R100 Residual current monitor

Residual current monitor has four buttons, “enter /menu”, “▲”, “▼”, “self-check/return”.

Keys	function
enter/menu	In non-programming mode, press this key to enter programming mode; In programming mode, when enter ok key is used.
▲, ▼	In non-programming mode, used to browse SOE» In programming mode, used to increase, decrease, or change the state of the protection action.
self-check/return	In non-programming mode, self-check function. In programming mode, used as a return key.

6.3.2 Key function description of AID150 centralize alarm and display instrument

centralize alarm and display instrument has five buttons, "mute button", "menu/enter", "▲", "▼", "self-check".

Keys	function
Mute	Cancel the alarm sound when an alarm occurs by press this key.
▲, ▼	In programming mode, used for increasing or decreasing.
Self-check	In non-programming mode, used for self-check function.
Menu/enter	In non-programming mode, press this key to enter programming mode; In programming mode, when enter ok key is used.

6.4 Key operation instructions

6.4.1 AIM-R100 residual current monitor key operation in programming mode

(1) Enter the programming mode

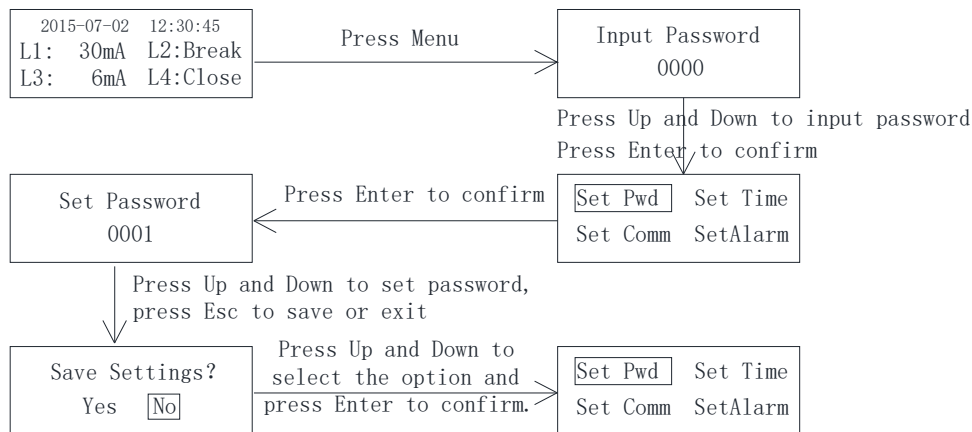
In normal operation, press the "menu/Enter" key to enter the programming mode password entry page. After entering the correct password, press enter to enter programming mode. The default password is 0001.

(2) Quit the programming mode

In programming mode, press "self-check/return" to directly return to the operation interface.

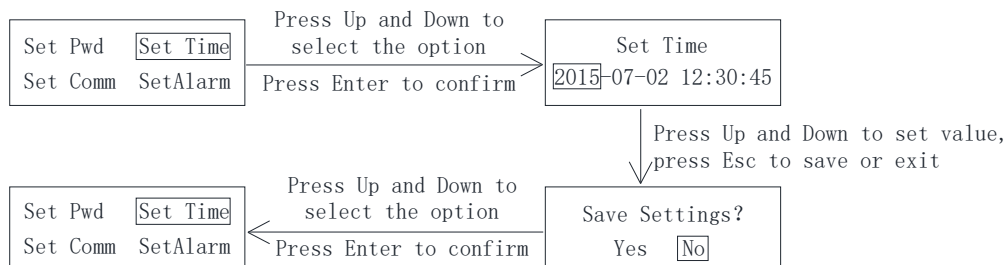
(3) System password setting

Select the option [password setting] in programming mode and press enter to enter. Change the system password by "up" and "down", and press "self-check/return" to exit after the change is completed. Press "Enter" to save the change to [Yes] and exit. Operation examples are as follows:



(4) Time setting

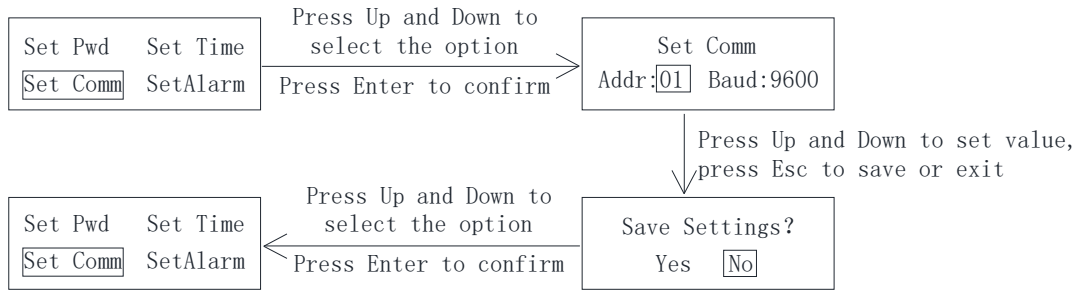
Select the option [time Settings] in programming mode and press enter to enter. Change the system time by "up", "down", and press "self-check/return" to exit after the change is completed. Press "Enter" to save the change to [Yes] and exit. Operation examples are as follows:



(5) Communication Settings

[Communication Setting] is to set the communication parameters between the residual current monitor and the centralized alarm and display instrument. It belongs to the menu of the same level as "password setting", and the entry steps are the same. Press "Self-check/Return" to exit when the setup is complete. Press "Enter" to save

the change to [Yes] and exit. Operation examples are as follows:

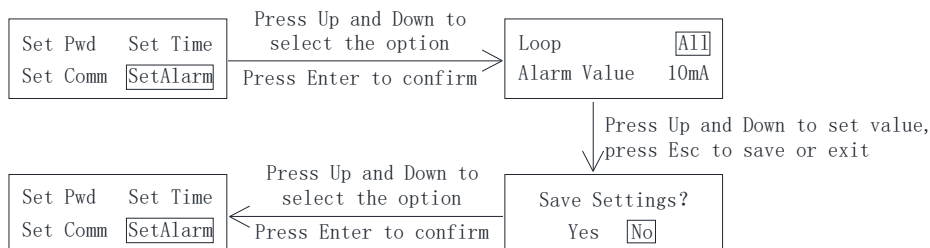


Note: 1. In practical operation, in order to ensure reliable communication, it is appropriate to set the monitoring instrument's communication address in the order of 1-245 (the address cannot be repeated), and set the communication baud rate as 9600.

2. When only one AIM-R100 communicates with AID150, the correspondence address of AIM-R100 must be set to 1 and the baud rate is 9600.

(6) Protection Settings

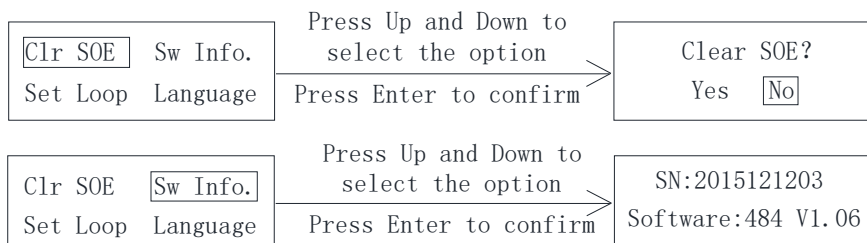
[Protection setting] is the residual current detection threshold setting. Select [Protection setting] in the programming mode to set the residual current loop number, loop alarm value and trip time. Press "Self-check/Return" to exit when the setup is complete. Press "Enter" to save the change to [Yes] and exit. Operation examples are as follows:



(7) Empty the record and version information

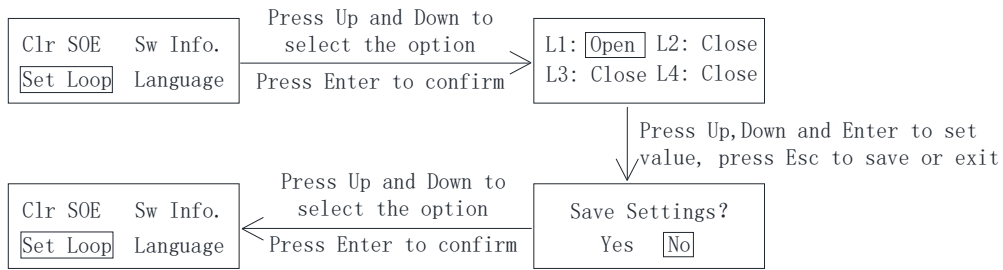
Clear fault record eliminates all previous fault records and re-records at the current time.

Version Information is used to display information about the meter model and software version. The operation is relatively simple, as follows:



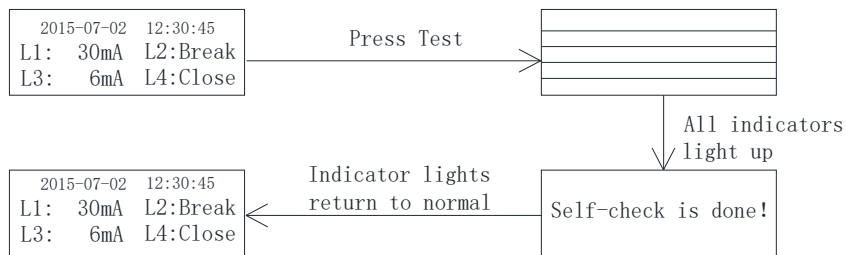
(8) Enable and close some unused circuits

[Circuit Setting] AIM-R100 can be connected to 12 aback-0.66 /L-20 remaining current transformers at most, "circuit setting" can close off the unused part of the circuit that is not connected to the transformer, so as to avoid the instrument identification as the wiring failure of the transformer. The operation is as follows:



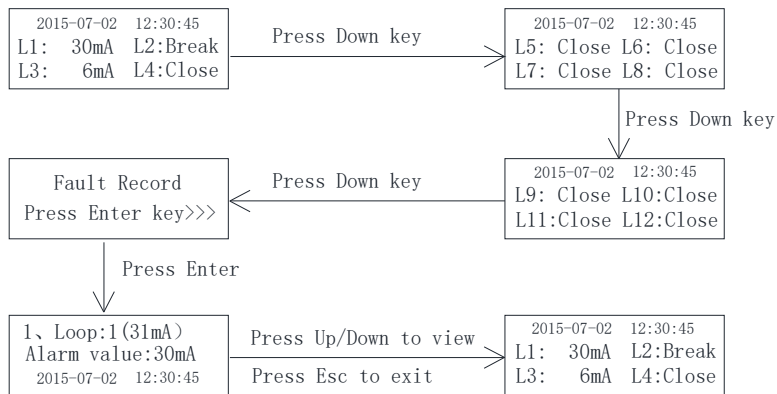
(9) Self-check operation

Click the [self-test] button in the normal operation state, and the instrument will monitor its own functional status. After the self-test is completed, it will automatically jump to the normal operation state. Operation examples are as follows:



(10) Fault event record query

Click "Down" button for many times in normal operation to reach the interface of "Fault Record", and click "Ok" to enter. Up to 10 fault records can be recorded, arranged from new to old. Press "Self-check/Return" to exit when the view is complete.



7 Communication Protocol

7.1 Communication protocol introduction

The device uses Modbus-RTU communication protocol, which defines check codes and data sequences in detail, all of which are necessary for specific data exchange. The Modbus protocol uses a master-slave responder connection (half duplex) on a single communication line, which means that signals are transmitted in opposite directions on a single communication line. First, the signal of the master computer is addressed to a unique terminal (slave), and then the reply signal from the terminal device is transmitted to the host in the opposite direction.

Modbus protocol only allows communication between the host computer (PC, PLC, etc.) and terminal

equipment, but does not allow data exchange between independent terminal equipment, so that terminal equipment will not occupy the communication line when they are initialized, but only respond to the query signal arriving at the machine.

7.2 Introduction to function code

7.2.1 Function code 03H or 04H: register read

This function allows users to obtain data and system parameters collected and recorded by the device. There is no limit to how much data a host can request at a time, but it cannot exceed the defined address range.

The following example reads a value from machine 01 at the address 0008H.

Master Send		Data	Slave Return		Data
Address		01H	Address		01H
Function		03H	Function		03H
Start Address	High byte	00H	Bytes		02H
	Low byte	08H	Data of Registers	High byte	00H
number of Registers	High byte	00H		Low byte	50H
	Low byte	01H	CRC code	High byte	21H
CRC code	High byte	74H		Low byte	75H
	Low byte	0CH			

7.2.2 Function code 10H: write register

Function code 10H allows the user to change the contents of multiple registers. The time and date in the meter can be written with this function number. The master can write up to 16 (32 bytes) of data at a time.

The following example is a device with a preset address of 01 date and time of 12:00 on Friday, December 01, 2009. From Monday to Sunday, 1 to 7 are used instead.

Master Send		Data	Slave Return		Data
Address		01H	Address		01H
Function		10H	Function		10H
Start Address	High byte	00H	Start Address	High byte	00H
	Low byte	04H		Low byte	04H
number of Registers	High byte	00H	number of Registers	High byte	00H
	Low byte	03H		Low byte	03H
Bytes		06H	CRC code	High byte	31H
0004H data for sending	High byte	09H		Low byte	C9H
	Low byte	0CH			
0005H data for sending	High byte	01H			
	Low byte	05H			

0006Hdata for sending	High byte	0CH
	Low byte	00H
CR code	High byte	53H
	Low byte	3FH

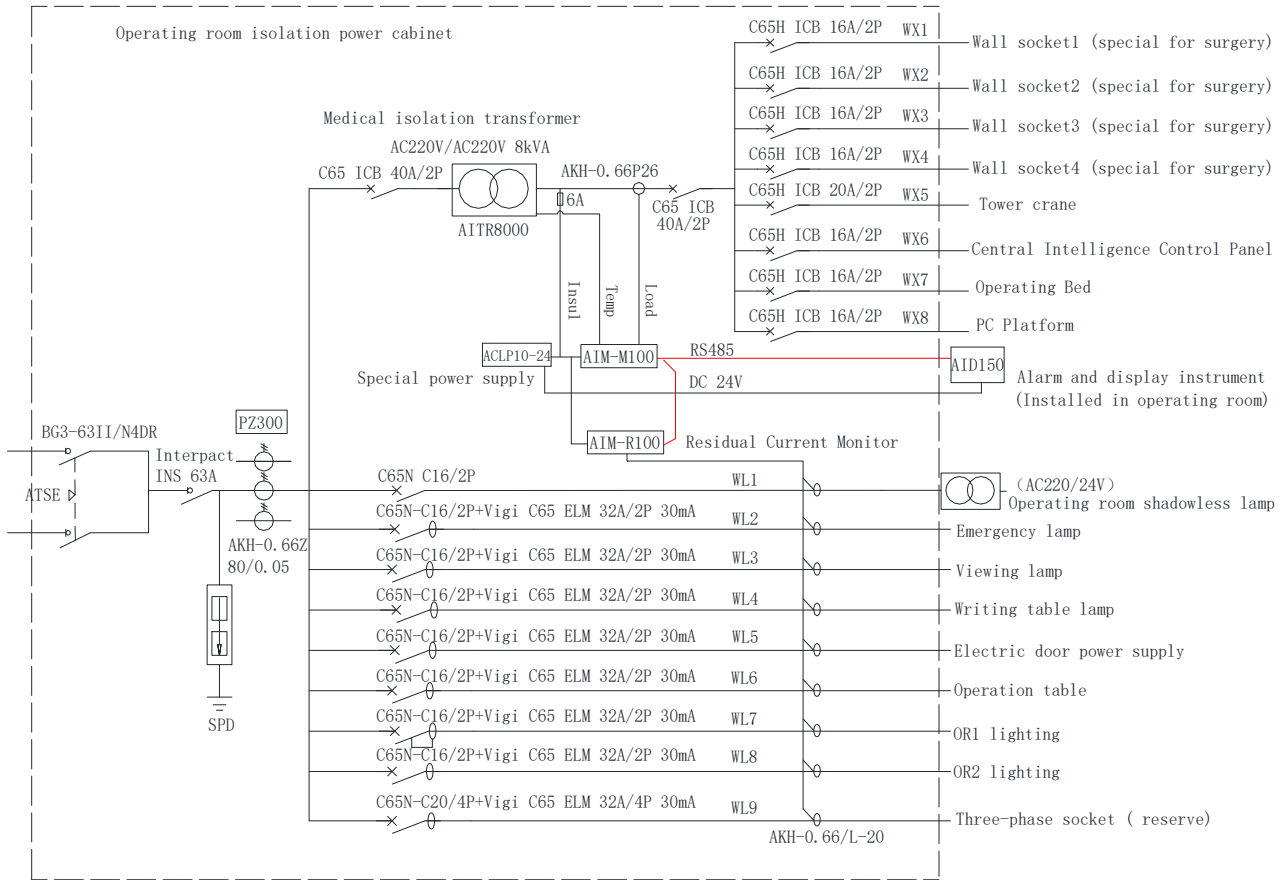
7.3 AIM-R100 communication address table

NO.	Address	parameters	Read/write	Range	Data Type
1	0000H	Password	R/W	0001~9999; default 0001	u16
2	0001H	Address	R/W	1~16; default 1	u8
		Baud Rate	R/W	1~3:4800,9600,19200bps; default 2	u8
3	0002H	Reserved			u16
4	0003H	Reserved			u16
5	0004H	RTC-year	R/W	1~99	u8
		RTC-month	R/W	1~12	u8
6	0005H	RTC-day	R/W	1~31	u8
		Reserved			u8
7	0006H	RTC-hour	R/W	0~23	u8
		RTC-minute	R/W	0~59	u8
8	0007H	RTC-second	R/W	0~59	u8
		Reserved			u8
9	0008H	Tripping time	R/W	0~60s, default 6s	u16
10~11	0009H~ 000AH	Reserved			u16*2
12	000BH	Meter type	R	bit15~bit12, 0 is insulation monitor, 1 is residual current monitor	4bit
		Reserved		bit11-bit8	4bit
		Fault Flag	R	loop 1 state (00 normal, 01 short circuit, 10 break line, 11 overload)	2bit
				loop 2 state (Same as above)	2bit

				loop 3 state (Same as above)	2bit	
				loop 4 state (Same as above)	2bit	
13	000CH	Fault Flag	R	loop 5 state (Same as above)	2bit	
				loop 6 state (Same as above)	2bit	
				loop 7 state (Same as above)	2bit	
				loop 8 state (Same as above)	2bit	
				loop 9 state (Same as above)	2bit	
				loop 10state (Same as above)	2bit	
				loop 11 state (Same as above)	2bit	
				loop 12 state (Same as above)	2bit	
14	000DH	SOE 1	Fault loop	R	1~12	u16
15	000EH		Fault value	R	10~5000 (0xE5E5 for short current, 0xFAFA for break line)	u16
16	000FH		Threshold value	R	10~1000mA	u16
17	0010H		Fault-year	R	1~99	u8
			Fault-month	R	1~12	u8
18	0011H		Fault-day	R	1~31	u8
			Fault-hour	R	0~23	u8
19	0012H		Fault-minute	R	0~59	u8
		Fault-second	R	0~59	u8	
20~73	0013H- 0048H	SOE 2~10	R	Format is same as SOE 1		
74	0049	Reserved			u16	
75~86	004AH~ 0055H	loop 1~12 residual current value	R	0~5000mA	u16*12	
87~98	0056H~ 0061H	Loop 1~12 alarm value	R/W	6~1000mA	u16*12	

8 Typical applications

The application of medical residual current monitoring products in the operating room power distribution system is shown in the figure below:



Note: The grounding in the isolated power supply cabinet should be connected reliably with the equipotential terminals in the field.

9 Power on and debugging instructions

9.1 Wiring check

Each set of residual current monitoring products should be connected before power on, mainly to check whether there is wrong connection, missing connection or short circuit. According to the wiring diagram shown in part 5.4 of this manual, the inspection can be carried out in the following order:

(1) Check each set of residual current monitoring system, including AIM-R100 residual current monitor, AKH0.66/L-20 residual current transformer, AID150 centralized alarm and display instrument, and ACLP10-24 DC24V power supply which supply power for AID150.

(2) Check input terminals 1 and 2 of ACLP10-24 DC24V power supply in each set of residual current products are connected to AC220 V power supply. Whether the 24V and G of the output end are reliably connected with the 24 V and G terminals of the AID150 centralized display instrument, and the positive and negative poles are correct.

(3) Check the corresponding wiring of each residual current transformer in the system is connected with I Δ n at one end and COM terminal at the other end (without positive and negative). Check the wiring of transformer.

9.2 Common faults and eliminations

Make sure the wirings are correct and power on the system. Then check whether each meter is abnormal, and whether there is a fault alarm in AIM-R100. For common problems, the causes can be determined and the faults can be eliminated according to the phenomenon of each instrument and the fault types:

Type	Fault	Possible causes and troubleshooting
AIM-R100 residual current monitor	LCD display: disconnection fault, fault indicator light on	The outgoing line of residual current transformer (or 100 Ω resistance) is not reliably connected to the signal input terminal of AIM-R100. Check the wiring and ensure the reliable connection.
	LCD display: short- circuit fault, fault indicator light lights on	If the outgoing line of residual current transformer is short circuited, check the wiring and ensure its reliable connection.
	The meter doesn't work	The 220V power supply of AIM-R100 is not connected well. Check the wiring of terminals 1 and 2 and ensure its reliable connection.
ACLP10- 24DC24 power supply	Power on indicator is not lit.	Check whether the wirings of 220V power input are normal and whether the voltage between the two terminals is within the allowable input range.
AID150 centralized alarm and display instrument	The meter doesn't work	The 24V power supply is not connected well. Check the wirings of 24V and G terminals and rewire.
	Communication fault	(1) The address setting of AIM-R100 is repeated, or BAUD is not set to the default 9600. (2) If the communication line with AIM-R100 in the system is not well connected, check the communication line and confirm whether the matching resistance is connected properly.

Note: If the faults occur, interrupt the power to troubleshoot, and adjust the wirings until everything is ok.

9.3 Settings and debugging

(1) When entering the menu settings, products need to input the password. The initial password of all products is 0001.

(2) After the system is powered on normally, the default alarm current threshold is 10mA. If it needs to be adjusted, please refer to chapter 6.4 to change the parameter operation.

(3) Communication address setting. In order to realize the centralized monitoring function of multiple sets of residual current monitors through centralized alarm and display AID150, it is necessary to set the communication address of AIM-R100 of each residual current monitor in turn, and then connect the communication lines between

instruments hand in hand. After setting, the head and end of the communication bus are connected in parallel with a matching resistor of 120Ω (the resistance must be added, otherwise communication may not be possible).

AID150 does not require additional setting of RS485 communication address.

(4) When AID150 is used, the total number of residual current monitors or insulation monitors connected to RS485 bus should be set first, and the total number should not exceed 16 sets. This parameter is set in the [Comm set] submenu of the menu. The slave address of each residual current monitor or insulation monitor shall be numbered from 1 to 16 as far as possible. When the total number exceeds 16 sets, the number of AID150 shall be increased and networking shall be conducted separately.

Headquarters: Acrel Co., LTD.

Address: No.253 Yulv Road Jiading District, Shanghai, China

TEL.: 0086-21-69158338 0086-21-69156052 0086-21-59156392 0086-21-69156971

Fax: 0086-21-69158303

Web-site: www.acrel-electric.com

E-mail: ACREL008@vip.163.com

Postcode: 201801

Manufacturer: Jiangsu Acrel Electrical Manufacturing Co., LTD.

Address: No.5 Dongmeng Road,Dongmeng industrial Park, Nanzha Street,Jiangyin City,Jiangsu Province,China

TEL./Fax: 0086-510-86179970

Web-site: www.jsacrel.com

Postcode: 214405

E-mail: JY-ACREL001@vip.163.com