
AGF-AE-S Energy Metering Module Specification

Benefits

- Provides all necessary functionality for single-phase metering embedded in photovoltaic inverter.

Model: AGF-AE-S

Ordering P/N: 5029901700

General: The Energy Metering Module described is intended for use in embedded US applications.

- Accuracy Class: ANSI C12.20 0.5
- Rated Voltage(Un): 208V/240V
- Extended voltage range: 88%~110%
- Rated Current(In) : 60A
- Rated Frequency(fn) : 60Hz
- Pulse Constant(kh) : 1000 impulses /kWh
- Serial Reporting Interval: 5 second

Class 0.5 ANSI C12.20:

Actual Active Energy	Within+/-0.5%
Starting Current	0.02A
Creeping Current	Less than 5mA
Insulation Strength	6kV for 1 min
Protection Class	IP 21

Temperature Range

Operation	-40°C to +80°C
Storage	-40°C to +85°C
Humidity	0% to 95% non-condensing

Electromagnetic Compatibility

Electrostatic Discharge-Contact	15kV
Electrostatic Discharge-Air Discharge	8 kV
Electromagnetic RF Fields:	

地址 Addr: 上海市嘉定区育绿路 253 号

电话: TEL: 400-820-8615 传真: FAX: 021-69158303 邮编 POST: 201801

<http://www.acrel.cn>

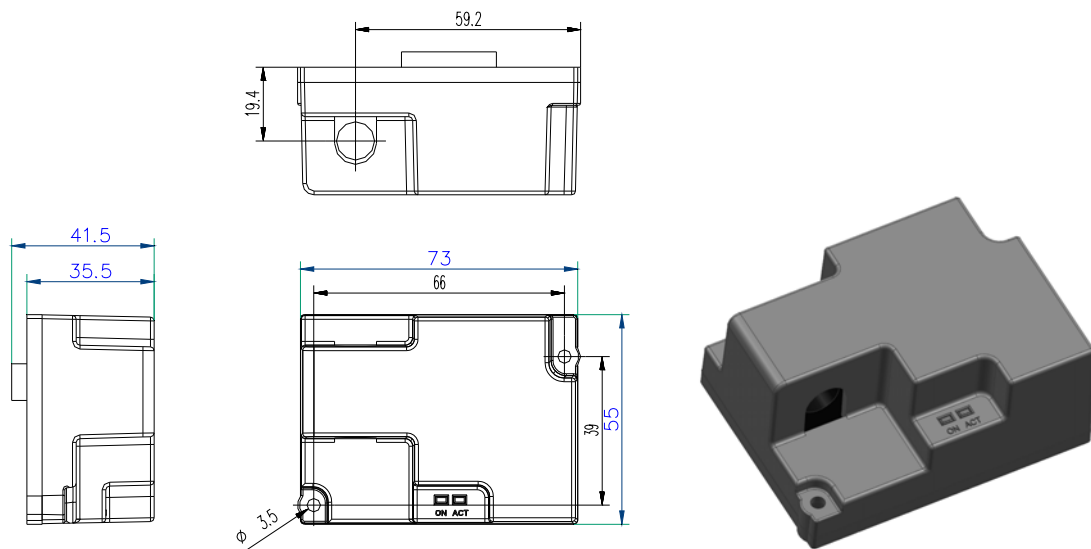
E-mail:ACREL001@vip.163.com

	Minimum:	10V/m
	Typical:	20V/m
RFI Suppression FCC		Class B
Fast Transient Burst		6 kV
Fast Transient Surge		6 kV/3kA

Connector Signals:

1	LINE	7	NC	13	+5V
2	LINE	8	NC	14	+5V
3	NC	9	NEUTRAL	15	RXD
4	NC	10	NEUTRAL	16	TXD
5	NC	11	GND		
6	NC	12	GND		

Outline Dimensions(±0.3mm):



Warranty: 10 years

If the product has quality problems within the warranty period, Our company will offer new free products and deliver the goods to No.1688 Jiangxing East Road, Wujiang Economic Development Zone, Wujiang city, Jiangsu Province.

Accessories list

Item	Specifications	Quantity
Screw	M3*10	2
Bar code sticker	Date of production 8*29 mm	1
	Material number 8*29 mm	1

Note: The torque of M3 screw is 8 ± 1 Kgf.cm

Specification Revision 1.1

Contents subject to change with notice to contract customers.

Version upgrade record:

2019.01.14

1.0→1.1 add accessories: 2 M3 screws & Bar code stickers